

GROVE

EINBAU WASSER-LADELUFTKUEHLER
MOUNTING WATER-CHARGE-AIR COOLER

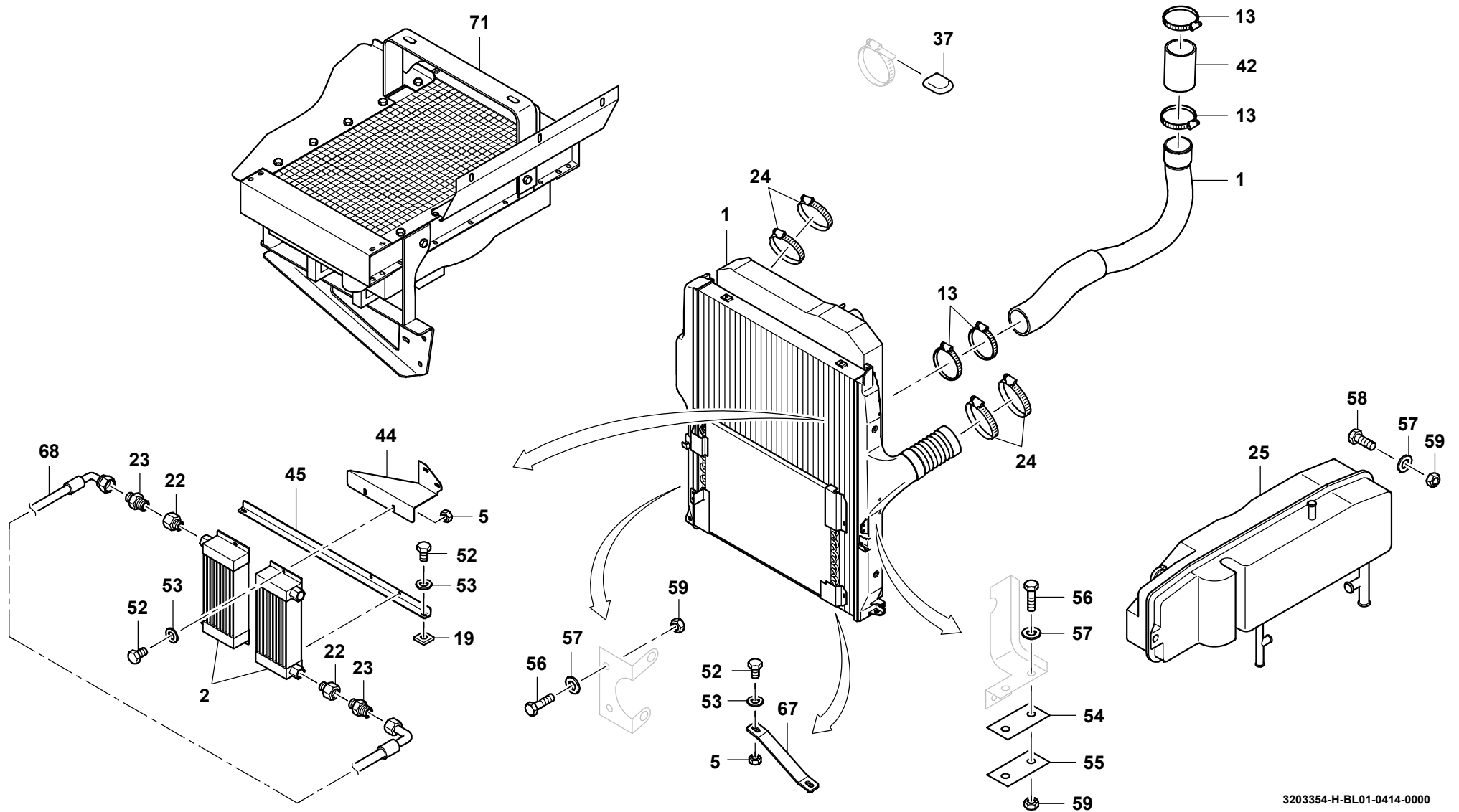
BILDTADEL
PICTORIAL DISPLAY

04.14

3203354-ETL H

1/3

GMK 4100
BE 504
G 631





EINBAU WASSER-LADELUFTKUEHLER
MOUNTING WATER-CHARGE-AIR COOLER

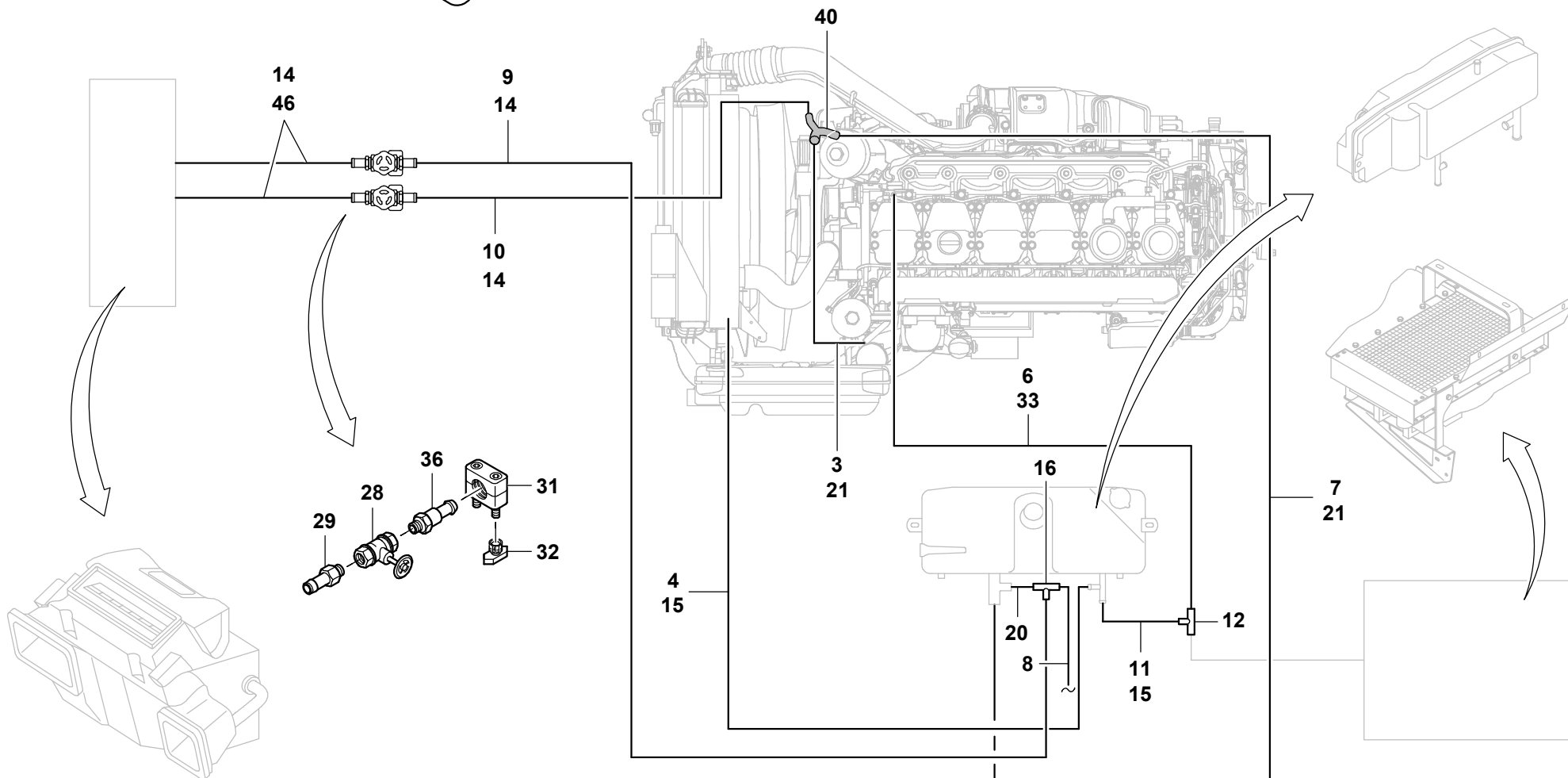
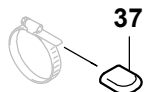
BILDTAFEL
PICTORIAL DISPLAY

04.14

3203354-ETL H

2/3

**GMK 4100
BE 504
G 631**



GROVEEINBAU WASSER-LADELUFTKUEHLER
MOUNTING WATER-CHARGE-AIR COOLERBILDТАFEL
PICTORIAL DISPLAY

04.14

3203354-ETL H

3/3

**GMK 4100
BE 504
G 631**